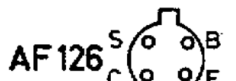
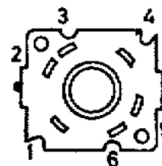


(B)	E1/16	E12/16
R20	10k	—
R45	12k	—

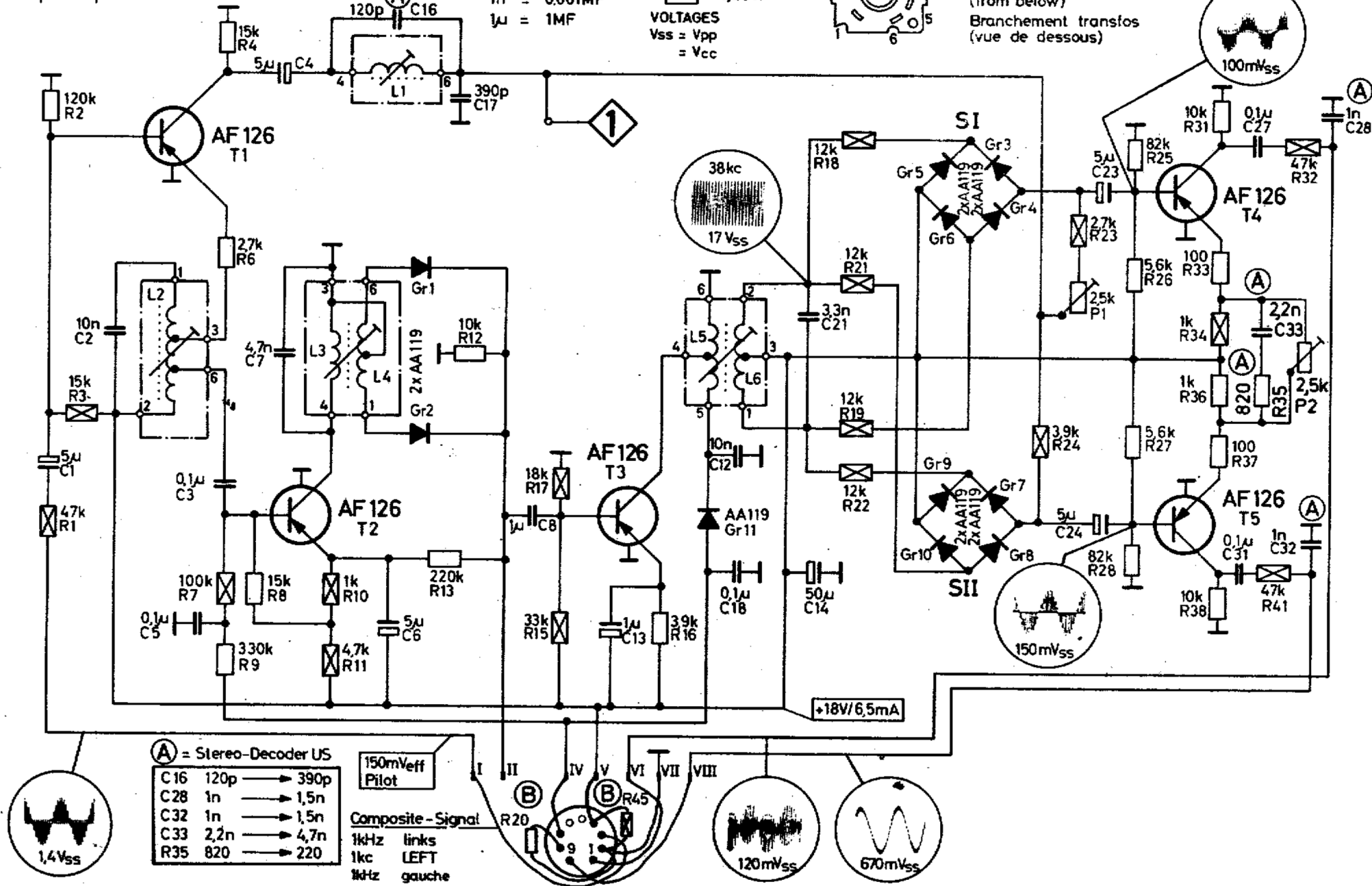


CAPACITORS  
 1p = 1MMF  
 1n = 0.001MF  
 1μ = 1MF

Widerstände  
 RESISTORS  
 Resistances  
 0,1W  
 0,25W  
 VOLTAGES  
 Vss = Vpp  
 = Vcc



Filter - Anschlüsse  
 (von unten)  
 IF TRANSFORMER CONNECTIONS  
 (from below)  
 Branchement transios  
 (vue de dessous)



(A) = Stereo-Decoder US

C16	120p	→	390p
C28	1n	→	1,5n
C32	1n	→	1,5n
C33	2,2n	→	4,7n
R35	820	→	220

150mVeff Pilot  
 Composite - Signal  
 1kHz links  
 1kc LEFT  
 1kHz gauche

